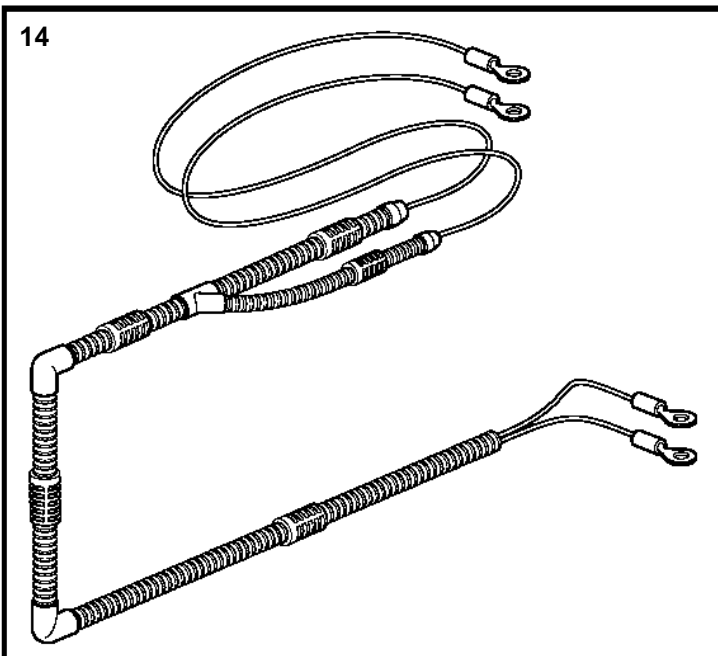
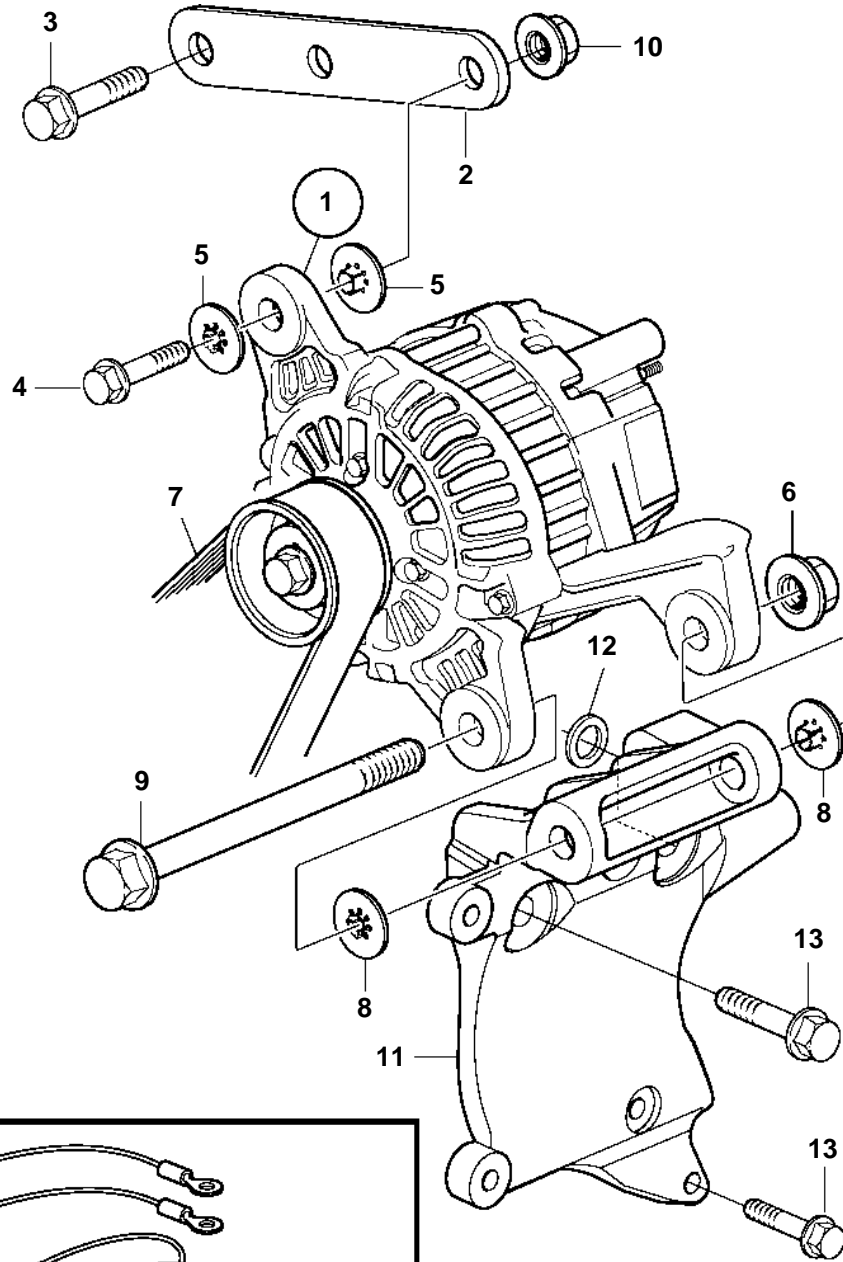


TAD1641VE, TAD1642VE



20929

TAD1641VE, TAD1642VE

REF	PART NO.	QTY	DESCRIPTION	NOTES
1	3803639	1	Alternator,exch Comps. not spec.	28V 80A
	3803640	1	Alternator,exch Comps. not spec.	28V 110A
2	3829091	1	Bracket	
3	947760	1	Flange screw	
4	946441	1	Screw	
5	3589388	2	Insulating bushing	
6	948645	1	Lock nut	
7	20430376	1	Drive belt	
8	3589369	2	Insulating bushing	
9	979935	1	Flange screw	
10	977938	1	Flange lock nut	
11	3839009	1	Bracket	
12	8192190	1	· Sealing ring	
13	946752	4	Flange screw	
14	881787	1	Wiring harness	